



NetCloud Services for IoT



COR IBR600C Series Spec Sheet



Cradlepoint COR IBR600C Series IoT routers are sold as part of an all-inclusive IoT networking package.

NetCloud Packages for IoT include:

- Compact routers tailored for IoT and M2M applications
- A NetCloud Service Plan tailored for branch networking and set for a specific term
- 24x7 support and limited lifetime warranty

What to Buy

Description	Part Numbers
North America (U.S., Canada)	
— NetCloud Essentials for IoT Routers (Standard) with IBR600C-150M-D for NA	TAx-600C150-NNN
— NetCloud Essentials for IoT Routers (Standard) with IBR650C-150M-D for NA	TAx-650C150-N0N
Europe (EU)	
— NetCloud Essentials for IoT Routers (Standard) with IBR600C-150M-EU	TAx-600C150M-EWM
Asia-Pacific (Australia, New Zealand)	
— NetCloud Essentials for IoT Routers (Standard) with IBR600C-150M-AP	TAx-600C150M-PWM
All Regions	
— NetCloud Advanced for Mobile Routers (Enterprise)	TAx-NCADV

x = 1, 3, or 5 years

NetCloud Essentials packages and plans contain all the features and capabilities required for a broad range of IoT applications. Essentials Packages include 24x7 support (phone support: 24 hour weekdays with emergency response on weekends, web: 24x7, chat: 24x5) and a limited lifetime warranty.

For additional capabilities, a **NetCloud Advanced** upgrade can be added to the NetCloud Essentials Package at any time.

See additional details of what is included in the Essential and Advanced NetCloud software: cradlepoint.com/iot-networks

For more details on the COR IBR600C IoT router, included with the NetCloud Packages for IoT, see below.

What's in the Box

- Ruggedized router with embedded enterprise-class LTE modem; includes integrated mounting plate
- Quick Start Guide with warranty information
- IBR600C-150M-D, IBR650C-150M-D, IBR600C-150M-B (no IBR650), IBR600C-150M-C (no IBR650). The 150M models support worldwide SIM-Based Auto-Carrier Selection.
- External LTE antennas (2 SMA), WiFi antennas (2) (reverse SMA, IBR600C only) < 5 dBi gain
- 12 V / 2 A power supply w/ locking connector; DC GPIO/power cable available
- Extra SIM door screws (2)

Key Features with NetCloud Service

WAN

- Dual-modem capable with optional COR Extensibility Dock
- 150M-B: 150/50 Mbps DL/UL FDD LTE w/HSPA+ fallback
- 150M-C: 150/50 Mbps DL/UL FDD LTE w/HSPA+ fallback
- 150M-D: 150/50 Mbps DL/UL FDD LTE w/HSPA+ fallback
- WiFi as WAN¹, with WPA2 Enterprise Authentication for WiFi as WAN
- Failover/Failback
- Load Balancing
- Advanced Modem Failure Check
- WAN Port Speed Control
- WAN/LAN Affinity
- IP Passthrough
- Standby

LAN

- VLAN 802.1Q
- DHCP Server, Client, Relay
- DNS and DNS Proxy
- DynDNS
- DMZ
- Multicast/Multicast Proxy
- QoS (DSCP and Priority Queuing)
- MAC Address Filtering

WiFi¹

- 802.11 b/g/n
- Up to 64 connected devices
- Multiple SSIDs
- WPA2 Enterprise (WiFi)
- Hotspot/Captive Portal
- SSID-based Priority
- Client Mode for faster data offload

Management

- Cradlepoint NetCloud Manager
- Web UI, API, CLI
- Data Usage Alerts (router and per client)
- Advanced Troubleshooting (support)
- Device Alerts
- SNMP
- SMS control
- Serial Redirector
- Auto APN Recovery
- Syslog

VPN & Routing

- IPsec Tunnel – up to five concurrent sessions
- L2TP
- GRE Tunnel
- OSPF/BGP/RIP
- Route Filters (Access Control Lists, Prefix Filters, Route Maps, Communities for BGP)
- Per-Interface Routing
- Routing Rules
- Policy-based Routing
- NAT-less Routing
- Virtual Server/Port Forwarding
- NEMO/DMNR
- IPv6
- VTI Tunnel support
- OpenVPN support
- CP Secure VPN compatible

Security

- RADIUS and TACACS+ support*
- 802.1x authentication for Ethernet
- Zscaler integration
- Certificate support
- ALGs
- MAC Address Filtering
- Advanced Security Mode (local user management only)
- Per-Client Web Filtering
- IP Filtering
- Content Filtering (basic)
- Website Filtering
- Zone-Based Object Firewall with host address (IP or FQDN), port, and MAC address

*-Native support for authentication. Authorization and accounting support through hotspot/captive portal services.

Cloud Optimized IP Communications

- Automated WAN Failover/Failback support
- WAN Affinity and QoS allow prioritization of VoIP services
- Advanced VPN connectivity options to HQ
- SIP ALG and NAT to allow VoIP and UC communications to traverse firewall
- 802.1p/q for LAN QoS segmentation and treatment of VoIP on LAN
- Private Network support (wired and 4G WAN)
- Cloud-based management

1 – WiFi-related functions are only supported on IBR600C-XXX models (no WiFi on IBR650C-XXX models)

Specifications

WAN:

- Dual-modem capable with optional COR Extensibility Dock
- Embedded 150M-B, 150M-C, or 150M-D modem
- Two LAN/WAN switchable Ethernet ports (one 10/100/1000 and one 10/100) – one default WAN
- WiFi as WAN, Metro WiFi; 2x2 MIMO "N" 2.4 GHz; 802.11 b/g/n (IBR600C only)

LAN:

- 2x2 MIMO "N" 2.4 GHz WiFi; 802.11 b/g/n (IBR600C only)

- Two LAN/WAN switchable Ethernet ports (one 10/100/1000 and one 10/100) – one default LAN
- Serial console support for Out-of-Band Management of a connected device

Ports:

- Power
- 2-wire GPIO
- Add more GPIO ports with optional 9-wire GPIO cable or COR Extensibility Dock (see Accessories section below)
- USB 2.0
- Two Ethernet LAN/WAN
- Two cellular antenna connectors (SMA)
- Two WiFi antenna connectors (R-SMA; IBR600C only)
- One GPS connector (SMA) (150M-B, 150M-C, 150M-D only. LPE GPS is muxed on LTE)
- 15-pin dock port for COR Extensibility Dock or 9-wire GPIO cable

Temperature: -20 °C to 60 °C (-4 °F to 140 °F) operating

Humidity (non-condensing):

- 5% to 95% operating
- 5% to 95% storage

Power:

- DC input steady state voltage range: 9–33 VDC (requires inline fuse for vehicle installations)
 - For 9–24 VDC installations, use a 3 A fuse
 - For > 24 VDC installations, use a 2.5 A fuse
- Reverse polarity and transient voltage protection per ISO 7637-2
- Ignition sensing (automatic ON and time-delay OFF)
- Power consumption:
 - Idle: 4 W
 - WiFi Tx/Rx: 9 W
 - LTE Tx/Tx: 6.25 W
 - 12 VDC / 2 A adapter recommended

WIFI POWER: 2.4 GHz: 18 dBm conducted

SIZE: 4.6 × 4.5 × 1.2 in (118 × 113.5 × 29.3 mm)

WEIGHT: 14 oz (400 g)

CERTIFICATIONS:

- FCC, IC, CE, RCM
- WiFi Alliance (IBR600C only) – 802.11 b/g/n certified
- Safety: UL/CUL, CB Scheme, EN60950-1
- Shock/Vibration/Humidity: compliant with MIL STD 810G and SAEJ1455

- Materials: WEEE, RoHS, RoHS-2, California Prop 65
- Telecom: PTCRB/CTIA

Accessories

Cradlepoint offers several accessory options for extensibility, power and antennas:

EXTENSIBILITY:

- COR Extensibility Dock (Part # 170675-000)
- 9-wire power & GPIO cable (Part #170680-000)

POWER:

Vehicle options

- Vehicle locking power adapter for COR (Part # 170635-000)
- Two-meter locking power and GPIO cable (direct wire) (Part # 170585-000)

Power Supplies/Adapters

- North America COR IBR6x0C power supply (Part # 170716-000)
- Barrel to 4-pin power adapter (Part # 170665-000)

ANTENNAS:

See the [Cradlepoint Certified Antennas for Fixed Sites](#) for more information about antennas. Also see the [Antenna Ordering and Installation Guide](#), also available in the Resources section of antenna and router product pages.

Enterprise-Class Modem Specifications

COR IBR600C-150M

COR IBR6X0-150M models include an embedded LTE Category 4 LTE modem. The 150M modems support worldwide SIM-Based Auto-Carrier Selection. Simply insert the SIM and wait for the router to automatically detect the SIM and establish a connection.

COR IBR600C-150M-D-NA; COR IBR650C-150M-D-NA (North America):

- Technology: LTE Cat 4 (3GPP Rel 11), DC-HSPA+
- Downlink Rates: LTE 150 Mbps, HSPA+ 42.2 Mbps*
- Uplink Rates: LTE 50 Mbps, HSPA+ 5.76 Mbps*
- Frequency Bands:
 - LTE: Band 2 (1900 MHz), Band 4 – AWS (1700/2100 MHz), Band 5 (850 MHz), Band 12 (700 MHz), Band 13 (700 MHz), Band 14 (700 MHz), Band 66 – AWS 3 (1700/2100 MHz), Band 71 (600 MHz)
 - WCDMA/HSPA+/UMTS: Band 2, Band 4, Band 5
- Power: LTE 23 dBm \pm 1; HSPA+ 23 dBm \pm 1; (typical conducted)
- Antennas: two SMA male (plug), maximum torque spec is 4 in-lbs

- GPS/GNSS: passive, dedicated SMA port (multi-constellation - GPS, GLONASS)
- Industry Standards & Certs: FCC, IC, PTCRB, WiFi Alliance (IBR600C only), AT&T, FirstNet Ready, Verizon, Verizon NEMO/DMNR for Primary Wireless Access
- SIM: two 2FF slots

COR IBR600C-150M-B-EU (Europe):

- Technology: LTE, DC-HSPA+
- Downlink Rates: LTE 150 Mbps, HSPA+ 42 Mbps*
- Uplink Rates: LTE 50 Mbps, HSPA+ 5.76 Mbps*
- Frequency Bands: LTE FDD: B1/ B3/ B5/ B7/ B8/ B20
- LTE TDD: B38/ B40 /B41
- DC-HSPA+/UMTS: B1/ B5/ B8
- GSM/EDGE: B3/ B8
- Power: LTE 23 dBm \pm 2; HSPA+ 23 dBm \pm 1; (typical conducted)
- Antennas: two SMA male (plug), (maximum torque spec is 7 kgf/cm²)
- GPS: passive standalone (dedicated SMA port)
- Industry Standards & Certs: CE, WiFi Alliance
- SIM: two 2FF slots

COR IBR600C-150M-C-AU (Australia):

- Technology: LTE, DC-HSPA+
- Downlink Rates: LTE 150 Mbps, HSPA+ 42 Mbps*
- Uplink Rates: LTE 50 Mbps, HSPA+ 5.76 Mbps*
- Frequency Bands: LTE FDD:B1/ B3/ B5/ B7/ B28
- DC-HSPA+/UMTS: B1/ B5
- Power: LTE 23 dBm \pm 2; HSPA+ 23 dBm \pm 1; (typical conducted)
- Antennas: two SMA male (plug), (maximum torque spec is 7 kgf/cm²)
- GPS: passive standalone (dedicated SMA port)
- Industry Standards & Certs: RCM, WiFi Alliance
- SIM: two 2FF slots

COR IBR600C-LPE*

**LPE versions no longer available*

COR IBR600C-LPE/IBR650C-LPE models include an embedded 4G LTE/HSPA+/EVDO modem – specific model names include a specific modem (e.g., the COR IBR650C-LPE-VZ includes a Verizon LTE modem) but is software configurable for Sprint, AT&T, T-Mobile or Canada.

COR IBR600C-LPE-AT/GN/SP/VZ; COR IBR650C-LPE-AT/GN/SP/VZ (North America):

- Technology: LTE, HSPA+, EVDO Rev A
- Downlink Rates: LTE 100 Mbps, HSPA+ 21.1 Mbps, EVDO 3.1 Mbps*
- Uplink Rates: LTE 50 Mbps, HSPA+ 5.76 Mbps, EVDO 1.8 Mbps*
- Frequency Bands:
 - LTE: Band 2 (1900 MHz), Band 4 – AWS (1700/2100 MHz), Band 5 (850 MHz), Band 13 (700 MHz), Band 17 (700 MHz), Band 25 (1900 MHz)
 - HSPA+/UMTS: (850/900/1900/2100 MHz, AWS)
 - GSM/GPRS/EDGE: (850/900/1800/1900 MHz)
 - CDMA EVDO: Rev A/1xRTT (800/1900 MHz)
- Power: LTE 23 dBm ± 1; HSPA+ 23 dBm ± 1; EVDO 24 dBm ± 1 (typical conducted)
- Antennas: two SMA male (plug), finger tighten only (maximum torque spec is 7 kgf/cm²)
- GPS: passive, muxed on aux port
- Industry Standards & Certs: FCC, WiFi Alliance (IBR600C only), AT&T, Sprint, Verizon, Verizon NEMO/DMNR for Primary Wireless Access
- SIM: two 2FF slots

**Theoretical Speeds*

Support & Warranty

The COR IBR600C Series is sold as a component of NetCloud Packages.

Cradlepoint's all-inclusive NetCloud Service Plan includes limited lifetime hardware warranty and global 24x7 enterprise-class support (phone support: 24-hour weekdays with emergency response on weekends; web: 24x7, chat: 24x5).

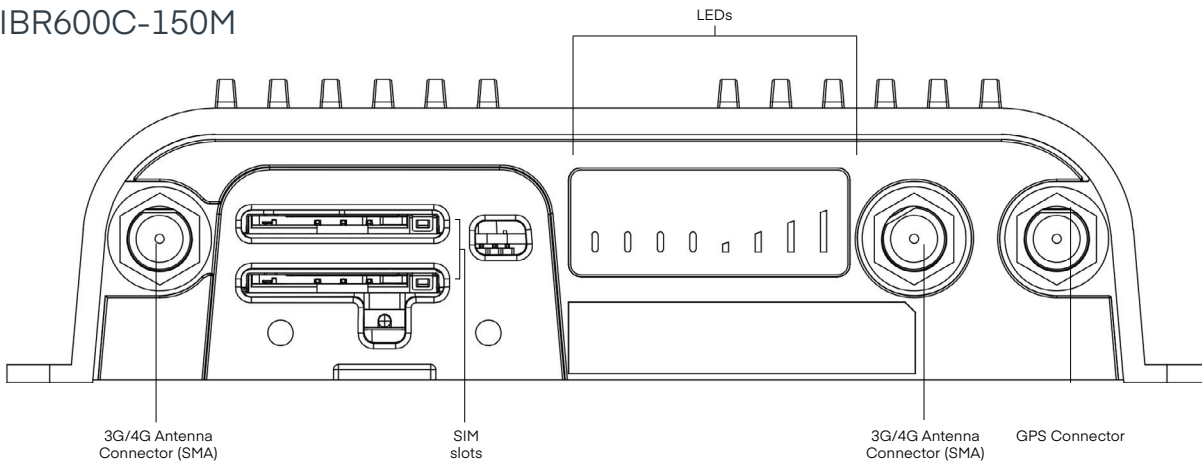
Learn more at [cradlepoint.com/support-services](https://customer.cradlepoint.com/support-services)

Safety, Regulatory & Warranty Guide

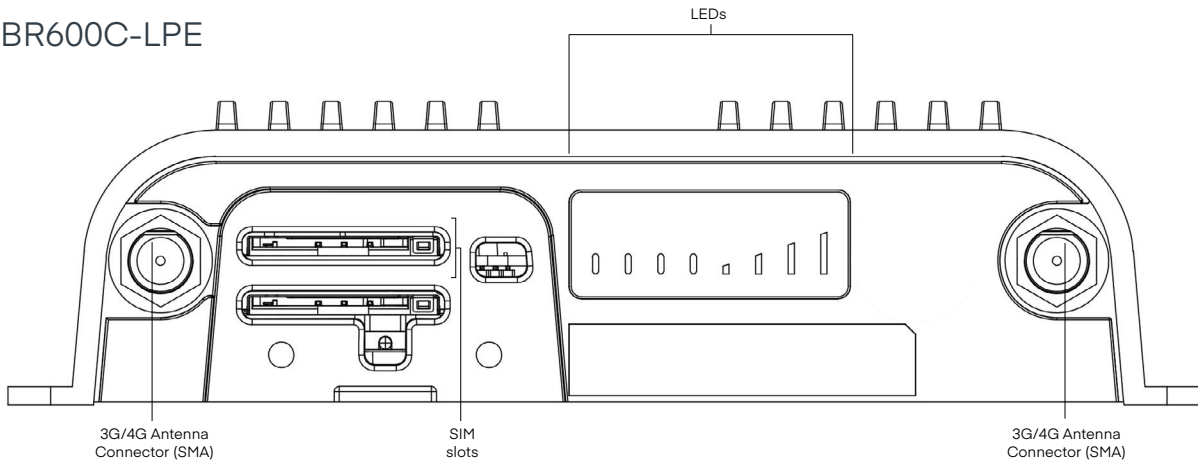
<https://customer.cradlepoint.com/s/article/Safety-Regulatory-and-Warranty-Guide-for-COR-IBR600C-Series-Routers>

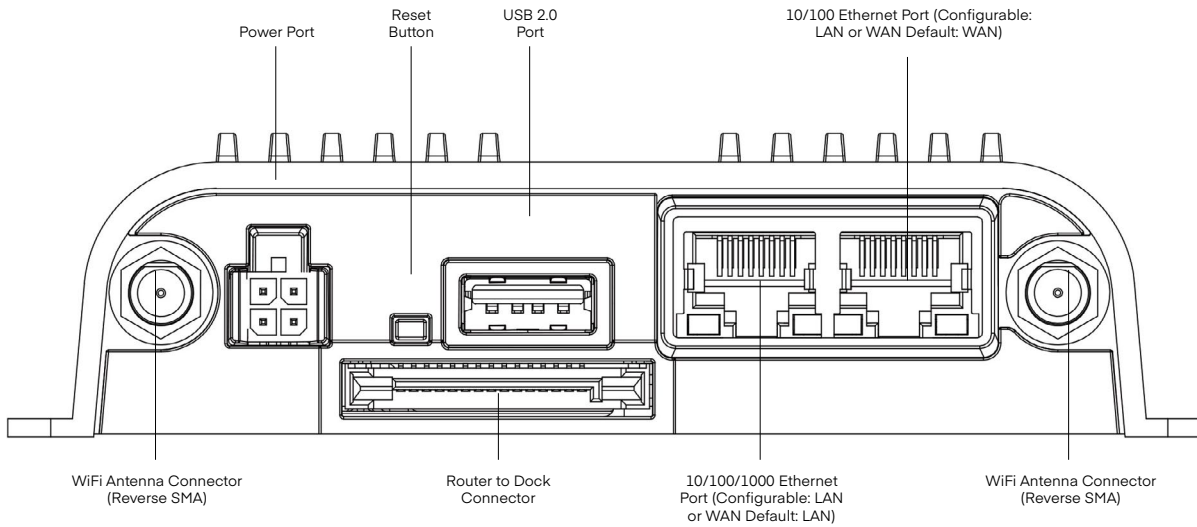
Hardware

IBR600C-150M



IBR600C-LPE

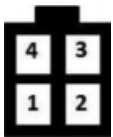




Power/GPIO Connector





This connector has four pin slots: power, ground, input, and output.

Connector pinout – view into router (rear view of cable connector):



Pin	Definition	Details	Wire Color
1	Ground	-	Black
2	Power	9-33 V DC	Red
3	Input	3.4 V input high threshold (33 V tolerant)	Orange
4	Output	capable of sinking 250 mA	Blue

LEDs

Indicator	Behavior
	<p>Power The Cradlepoint IBR600C-LPE/IBR650C-LPE must be powered using an approved 12 V DC power source.</p> <ul style="list-style-type: none"> Blue = Powered ON. No Light = Not receiving power. Check the power source connection.
	<p>WiFi Broadcast Indicates WiFi activity (IBR600C-LPE only).</p> <ul style="list-style-type: none"> Green = WiFi is on and operating normally. Amber = Attention. Open the administration pages and check the router status.
	<p>Integrated or USB Modem Indicates information about the integrated modem or attached USB modem.</p> <ul style="list-style-type: none"> Green = Modem has established an active connection. Blinking Green = Modem is connecting. Amber = Modem is not active. Blinking Amber = Data connection error. No modem connection possible. Blinking Red = Modem is in the process of resetting.
	<p>Signal Strength Blue LED bars indicate the active modem's signal strength.</p> <ul style="list-style-type: none"> 4 Solid Bars = Strongest signal. 1 Blinking Bar = Weakest signal. (A blinking bar indicates half of a bar.)
<p>Other</p>	<p>Additional LED INdications</p> <ul style="list-style-type: none"> Several different LEDs blink when the factory reset button is detected. Two of the modem LEDs blink red in unison for 10 seconds when there is an error during NCOS upgrade.